

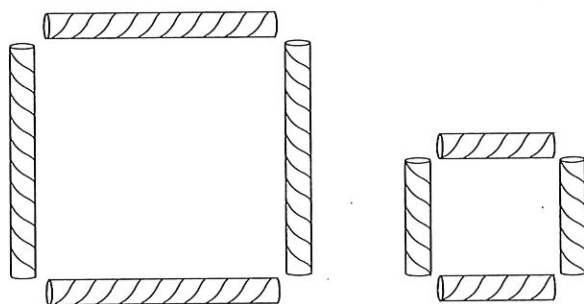
## Square it up

You need six drinking straws each the same length.

Cut two of them in half.

You now have eight straws, four long and four short.

You can make 2 squares from the eight straws.



Arrange your eight straws to make 3 squares, all the same size.

**53**

### Teaching objectives

Solve mathematical problems or puzzles.  
Visualise 2-D shapes.